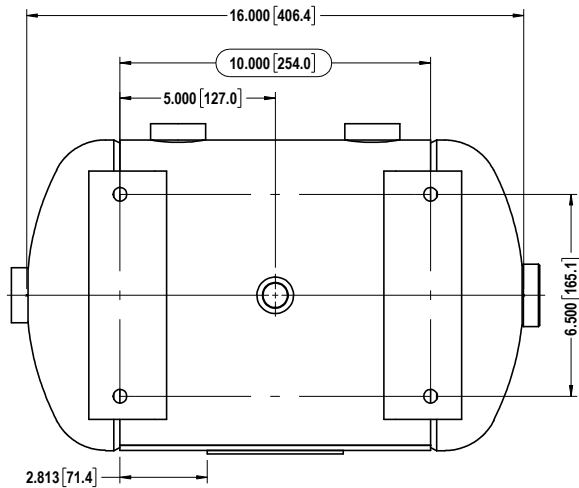
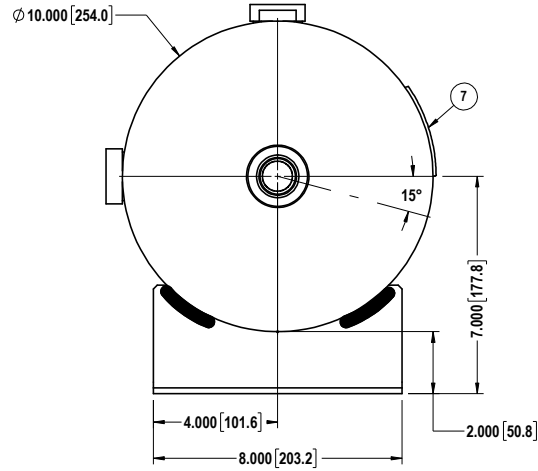
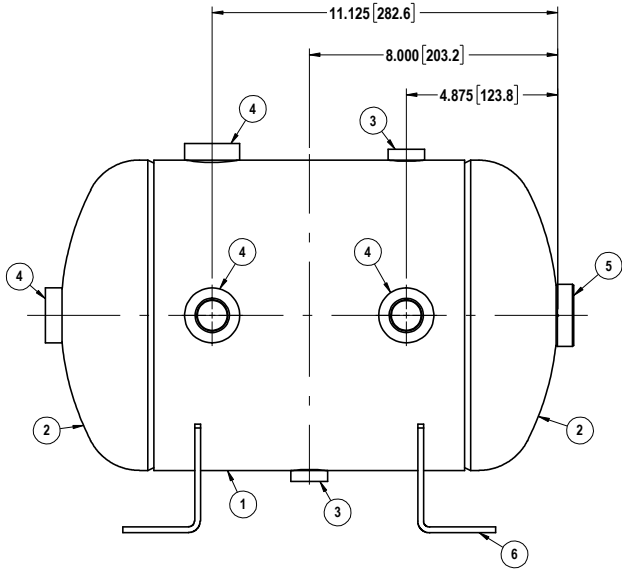


8 7 6 5 4 3 2 1

THIS DRAWING & SPECIFICATIONS ARE PROPERTY OF MORGANTON PRESSURE VESSELS AND MAY NOT BE COPIED, REPRODUCED, OR USED IN WHOLE OR PART, AS A BASIS FOR DESIGN MANUFACTURE OR SALE WITHOUT PRIOR PERMISSION FROM MORGANTON PRESSURE VESSELS.

DESIGN INFORMATION	
SPECIFICATION	VALUE
DIAMETER (O.D.)	10.000"
MAWP	200 PSI AT 650°F
MDMT	-20°F AT 200 PSI
CAPACITY	APPROX 5 GALLONS
APPROX. WEIGHT	25 LBS



NOT FOR PRODUCTION USE

ITEM#	DESCRIPTION	QTY.	PART #
7	NAME PLATE	1	LAB00038
6	SUPPORT	2	CAN15889
5	1" NPT COUPLING	1	SOK00281
4	3/4" NPT COUPLING	4	SOK00289
3	1/2" NPT COUPLING	2	SOK00286
2	HEAD	2	HEA00440
1	SHELL	1	PSV03511

	TOLERANCES, IF NOT INDICATED, ACCORDING TO: C-G SE 03.03 / 3
	DWG. NO. <b>VES0010067</b>
	REV. 0

8 7 6 5 4 3 2 1