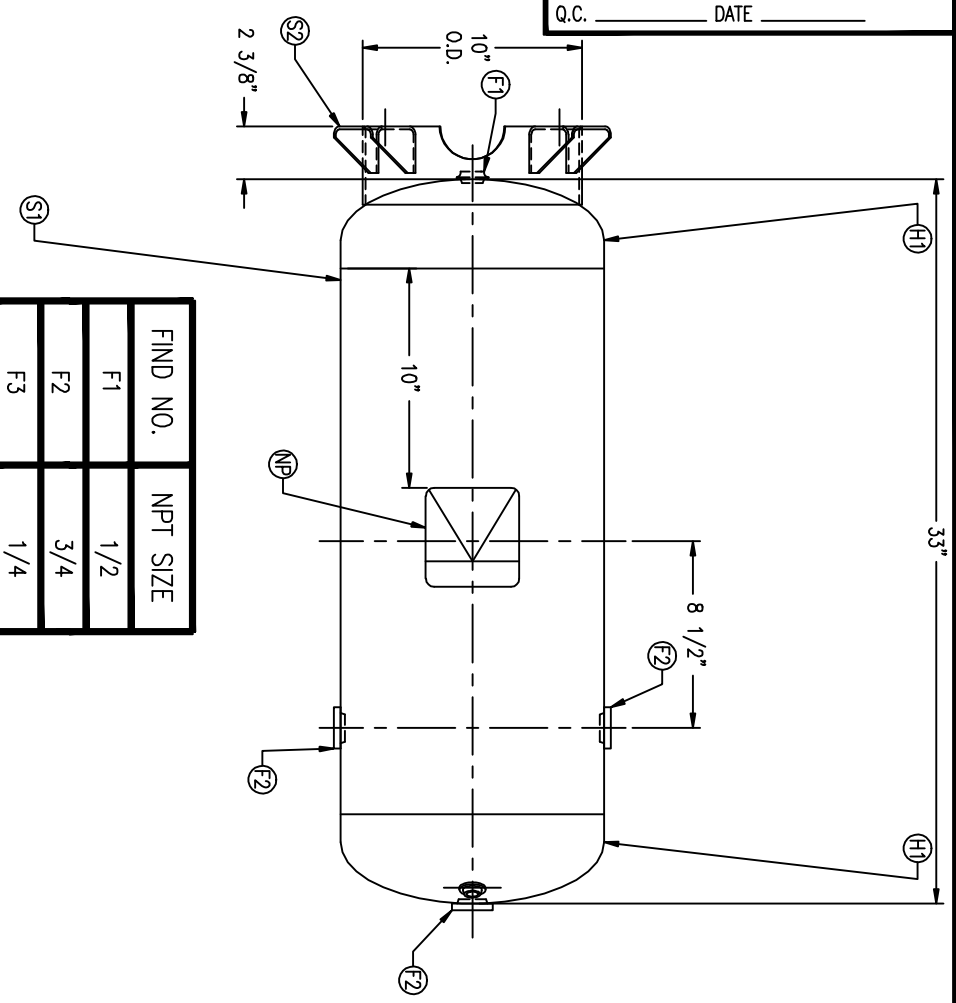


CODE/ADDENDA 2004/06 APPROVED EGB  
 RELEASED FOR PRODUCTION  
 Q.C. \_\_\_\_\_ DATE \_\_\_\_\_



FIND NO.	NPT SIZE
F1	1/2
F2	3/4
F3	1/4

SYM	DATE	BY	REVISION

APP	XREF	REV.

NOTES

SPECIFICATIONS

O.D. 12 LGTH. 33  
 MAWP 200 PSI @ 650 °F

GAL. 15 S.A. 9.1  
 WT. 46# CU.FT. 2.0

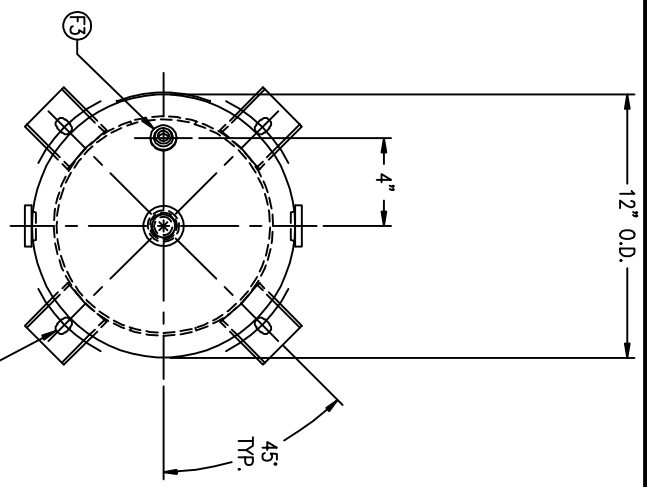
CRN F1144.1C  
 STD. TOLERANCES (UNLESS OTHERWISE NOTED): M-2461



GORP2.DWG\302

# VERTICAL AIR RECEIVER

SCALE: NONE  
 DRAWING NO. 302402



9/16" X 7/8" SLOT  
 ON A 12 3/4" BOLT  
 CIRCLE, TYP. 4 PLCS.