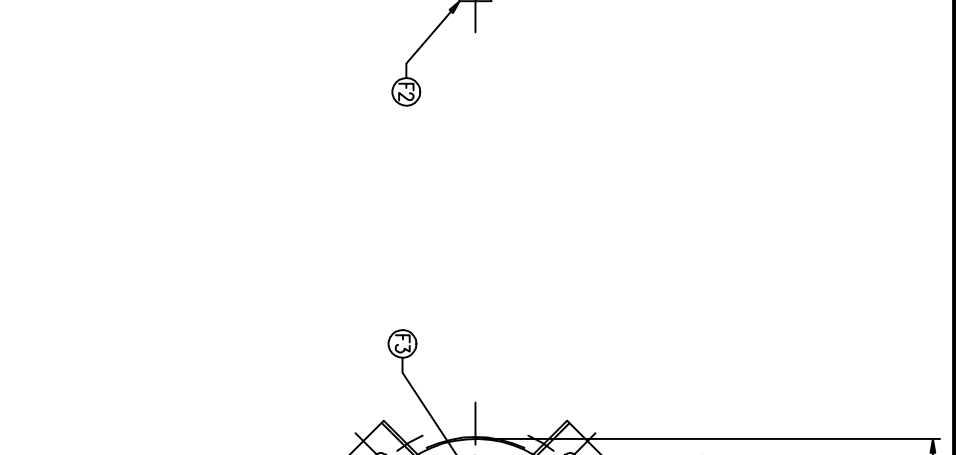
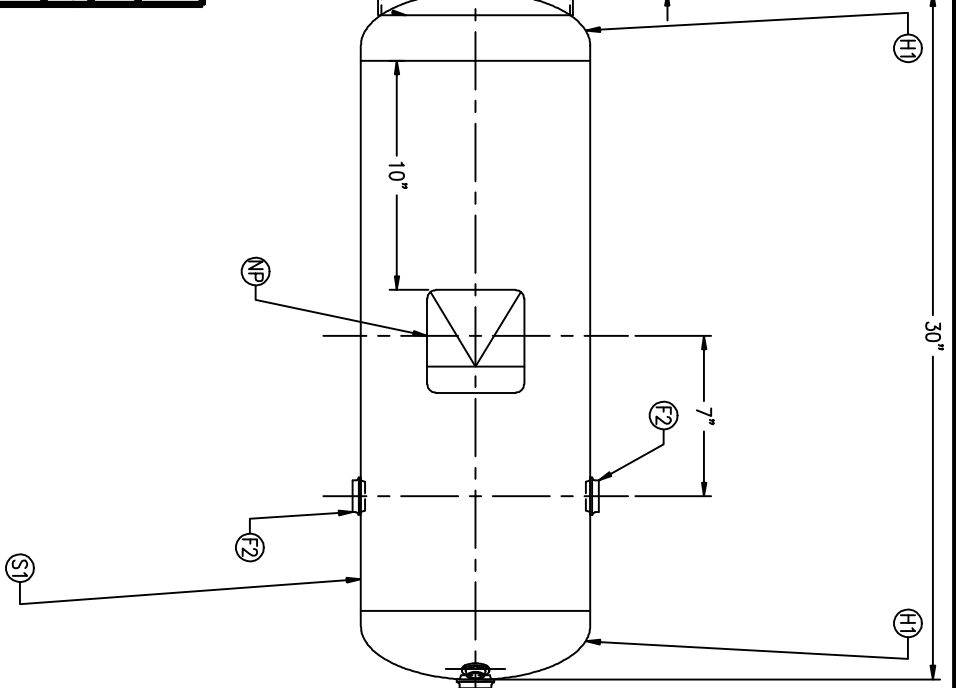


CODE/ADDENDA _____ APPROVED
 RELEASED FOR PRODUCTION _____
 Q.C. _____ DATE _____

FIND NO.	NPT SIZE
F1	1/2
F2	3/4
F3	1/4



9/16" X 7/8" SLOT
 ON A 11 1/4" BOLT
 CIRCLE, TYP 4 PLCS.

SYM. DATE BY _____ REVISION _____

APR. _____

REF. REV. C986 A C985

NOTES

SPECIFICATIONS

O.D. 10 LGTH. 30
 MAWP 300 PSI @ 650 F

GAL. 10
 WT. 41#

CRN D1625.6
 WELD DETAILS: M-1932
 STD. TOLERANCES (UNLESS OTHERWISE NOTED): M-2461

CODE: ASME SEC. VIII DIV. 1
 LATEST EDITION & ADDENDA



MANCHESTER TANK CORP. DWG. 302

VERTICAL AIR RECEIVER

DRAWN BY EGB DATE 04-11-01 SCALE: NONE
 APP'D BY MR DATE 04-16-01 DRAWING NO. 302401