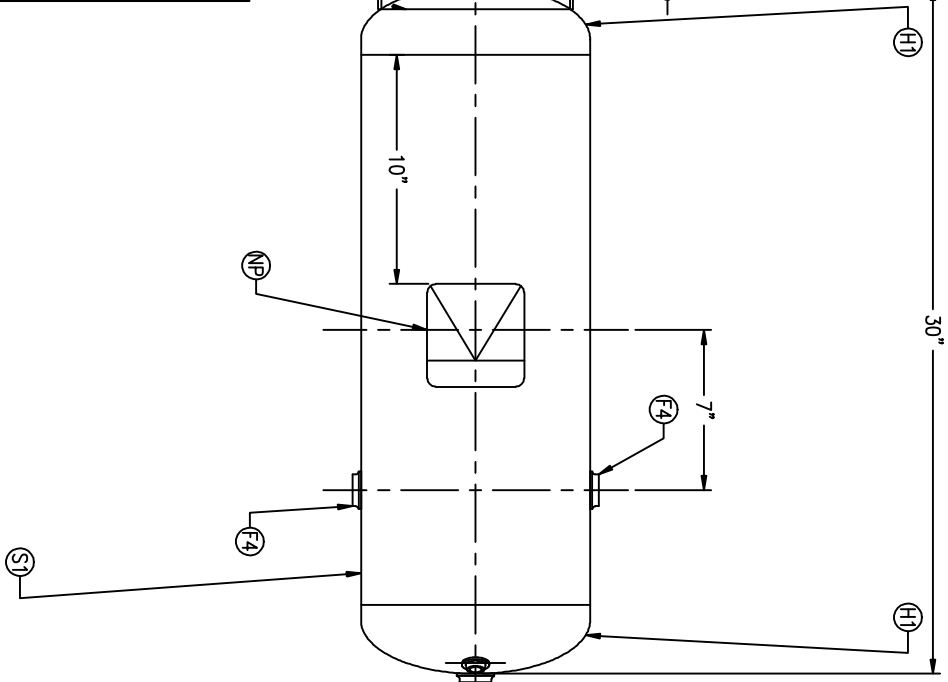
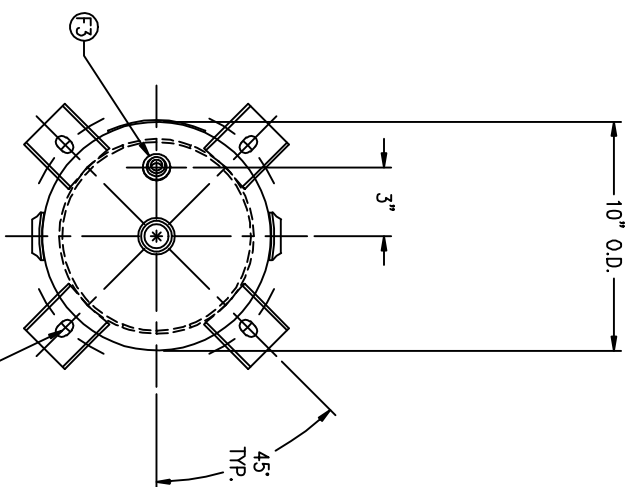


CODE/ADDENDA 2004/2005 APPROVED JR
 RELEASED FOR PRODUCTION
 Q.C. _____ DATE _____

FIND NO.	NPT OPENINGS
F1	1/2
F2	3/4
F3	1/4
F4	3/4



NOTES		SPECIFICATIONS	
O.D. 10 LGTH. 30		GAL. 10 S.A. 6.9	
MAWP 200 PSI @ 650 F		WT. 37# CU.FT. 1.3	
CRN F2150.1C		CODE: ASME SEC. VIII DIV. 1	
WELD DETAILS: M-1932		LATEST EDITION & ADDENDA	
STD. TOLERANCES (UNLESS OTHERWISE NOTED): M-2461			



SYM.	DATE BY	REVISION	APR.	REF. REV.	NOTES	CODE	DATE
				C984 B			
				C985			

MANCHESTER
 DRAWING NO. 302400

VERTICAL AIR RECEIVER

SCALE: NONE
 DRAWING NO. 302400