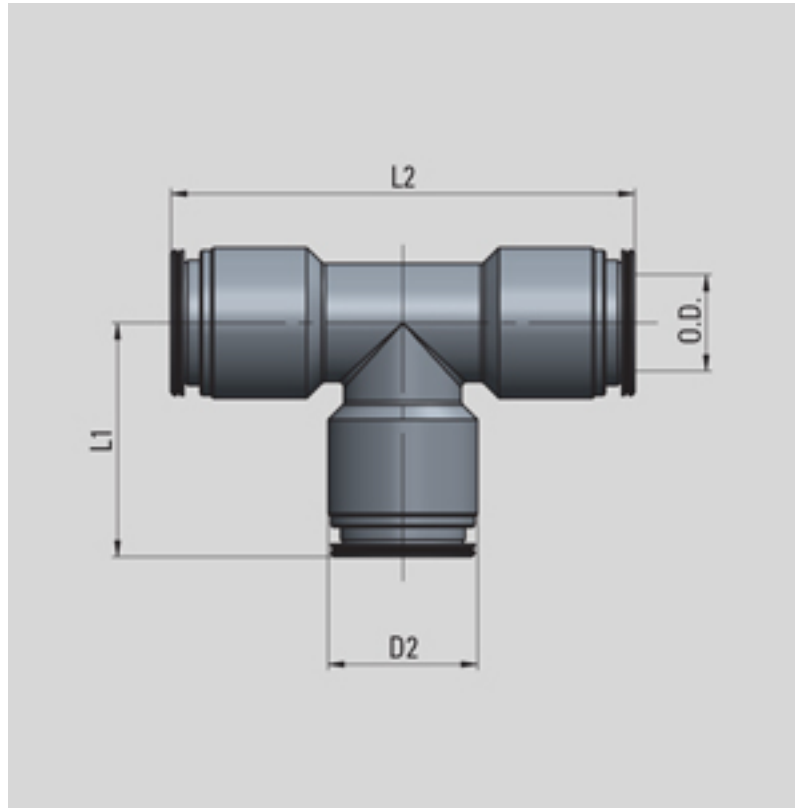


Stainless Steel Push-to-Connect Fitting - Union Tee (PX29)



Part Number	Tube OD	D2	L1	L2	OZ
PX29 5/32 5/32	5/32"	0.354	0.669	1.338	0.564
PX29 1/4 1/4	1/4"	0.472	0.787	1.574	0.991
PX29 5/16 5/16	5/16"	0.551	0.846	1.692	1.164
PX29 3/8 3/8	3/8"	0.629	0.964	1.929	2.039
PX29 1/2 1/2	1/2"	0.748	1.023	2.046	2.469