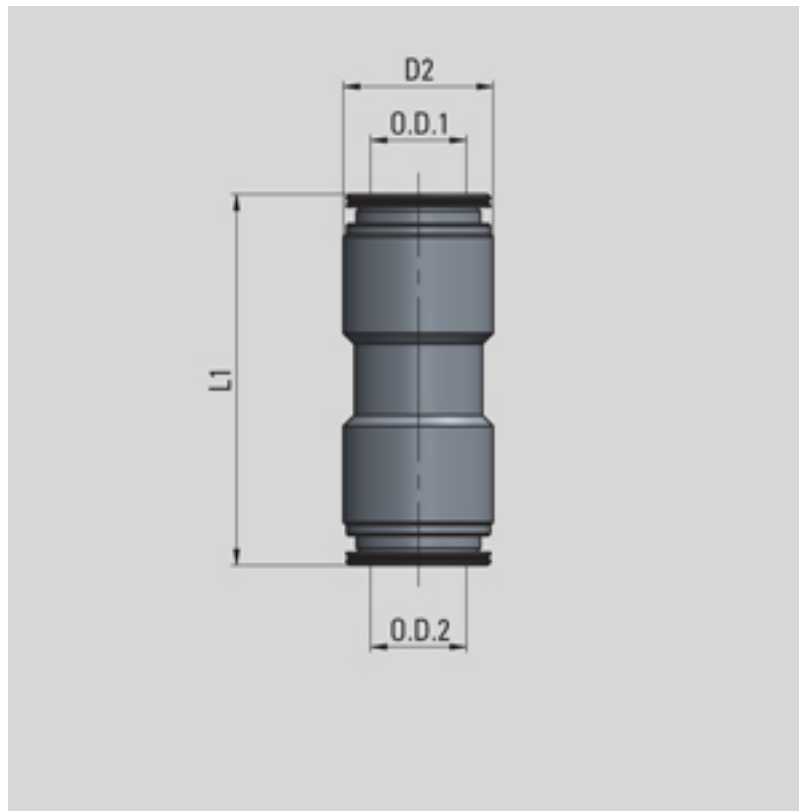


Stainless Steel Push-to-Connect Fitting - Union (PX26)



Part Number	Tube OD1	Tube OD2	D2	L1	OZ
PX26 5/32 5/32	5/32"	5/32"	0.354	1.062	0.31
PX26 1/4 1/4	1/4"	1/4"	0.472	1.299	0.519
PX26 5/16 5/16	5/16"	5/16"	0.551	1.299	0.695
PX26 3/8 3/8	3/8"	3/8"	0.629	1.456	0.945
PX26 1/2 1/2	1/2"	1/2"	0.748	1.535	-