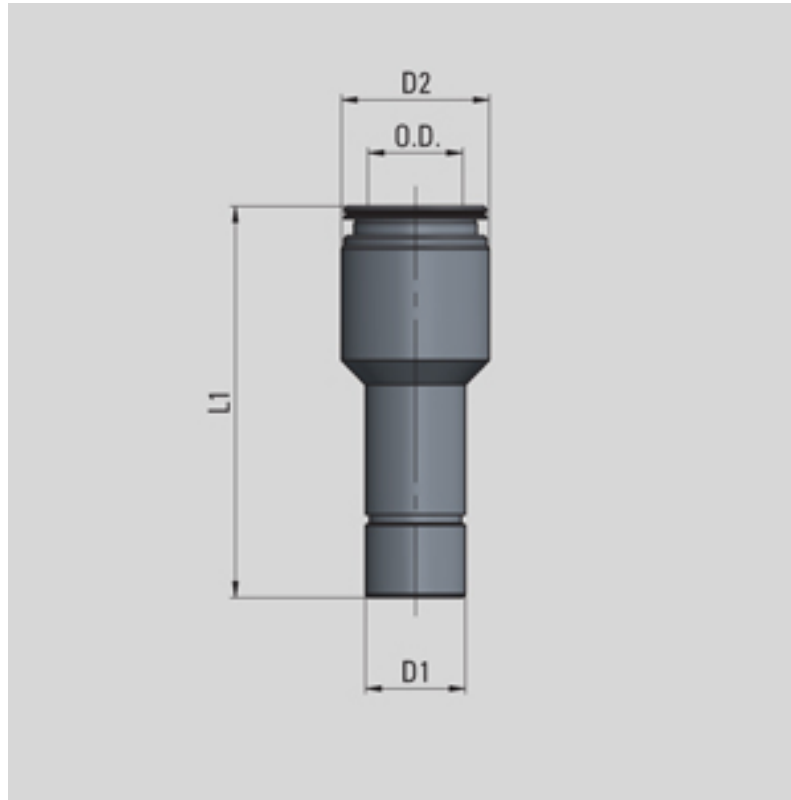


Stainless Steel Push-to-Connect Fitting - Plug In Reducer (PX25)



Part Number	Tube OD	D1	D2	L1	OZ
PX25 5/32 1/4	5/32"	1/4"	0.354	1.22	0.272
PX25 1/4 5/16	1/4"	5/16"	0.472	1.377	0.413
PX25 1/4 3/8		3/8"	0.472	1.377	0.487
PX25 5/16 3/8	5/16"	3/8"	0.551	1.417	0.543