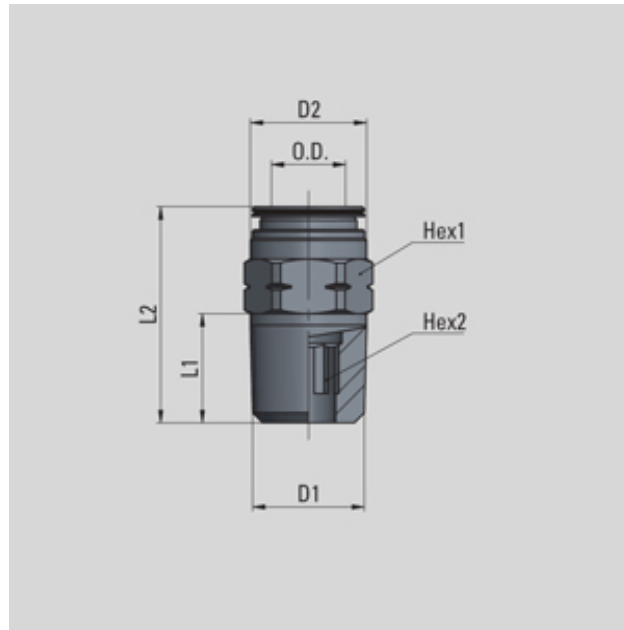


Stainless Steel Push-to-Connect Fitting - Taper Straight, Male (PX11)



Part Number	Tube OD	D1 NPTF	D2	L1	L2	HEX1	HEX2	OZ
PX11 5/32 1/8	5/32"	1/8	0.354	0.334	0.748	0.433	1/8	0.346
PX11 1/4 1/8	1/4"	1/8	0.472	0.334	0.846	0.512	5/32	0.384
PX11 1/4 1/4		1/4	0.472	0.511	0.944	0.551	5/32	0.642
PX11 5/16 1/4	5/16"	1/4	0.551	0.511	0.984	0.551	1/4	0.571
PX11 3/8 1/4	3/8"	1/4	0.629	0.511	1.22	0.669	5/16	0.924
PX11 3/8 3/8		3/8	0.629	0.511	0.964	0.709	5/16	0.914
PX11 1/2 3/8	1/2"	3/8	0.748	0.511	1.122	0.787	13/32	1.125
PX11 1/2 1/2		1/2	0.748	0.669	1.161	0.866	13/32	1.64