

# DRYSPELL PLUS

HEATLESS REGENERATIVE DESICCANT AIR DRYERS

**PneumaticPlus**

Mailing Address:  
4733 Torrance Blvd #902  
Torrance, CA 90503

Warehouse Address:  
1330 E. 223rd St # 505  
Carson, CA 90745

Phone: (800) 658-3579  
Email: [Support@pneumaticplus.com](mailto:Support@pneumaticplus.com)  
Mon-Fri 9:00am to 5:00pm

**PRODUCT NAME : DRYSPELL PLUS**  
**MODEL : DRYSPELL PLUS 60**  
**ITEM CODE : PD208 (without Cover & Includes external Pre - Filter)**

## 1. SPECIFICATIONS

Flow : 60 scfm  
Maximum Operating Pressure : 16 bar (g) (232 PSI (g))  
Rated Air Inlet Temperature : 38° C (100° F) (ISO:7183-1986 (E)) rated Dewpoint  
Rated Operating Pressure : 7 bar (g) (101.5 PSI (g))  
Recommended External Pre-Filter Rating: 0.01 Microns (ISO: 8573-1:2010 (E) Class 1)  
Cycle Time : 4 Minutes  
Operating Voltage : 100-240 VAC 50/60 Hz 1 Ph  
Dew Point : -40° C (-40° F) PDP (ISO: 8573-1:2010 (E) Class 2)  
End Connections : 1" NPT  
Purge Loss : 15±1%  
Noise Level : <70 dBA  
Pressure Drop : <0.3 bar (g) ( <4.3 PSI (g))

## 2. TECHNICAL DATA

### 2.1 ADSORBER DATA

Type of adsorbent : Mixed Bed of Activated Alumina & Molecular Sieves  
Adsorber Shell : Aluminum IS 63400  
Top & Bottom Block : Aluminum IS 63400

### 2.2 PROCESS DATA

Description	Purge Optimizer			
	100%	80%	60%	40%
Cycle Time (min)	4	4	4	4
Drying Time (min)	2	2	2	2
Regeneration Time (Sec)	90	72	54	36
De-pressurization time (sec)	30	48	66	84

## 3. FILTER DATA

### 3.1 Standard with all units

Internal Built In After Filter Micron Rating : 25 Micron (ISO:8573-1:2010 (E) Class 5)

**PneumaticPlus**

*PneumaticPlus reserves the right to change products or specifications without notice*

### **3.2 Included with Item Code PD208**

External Pre-Filter Particle Removal Rating	: 0.01 Micron (ISO:8573-1:2010 (E) Class 1)
Pre- Filter Oil Removal Rating	: 0.01 mg/m <sup>3</sup> (ISO:8573-1:2010 (E) Class 1)
Filtering Media	: Borosilicate Microfiber Glass
Efficiency	: 99.9%

### **3.3 Optional for all Units**

External Post- Filter Particle Removal Rating	: 1 micron (ISO:8573-1:2010 (E) Class 2)
Post-Filter Oil Removal Rating	: 0.5 mg/m <sup>3</sup> (ISO:8573-1:2010 (E) Class 3)

## **4. ELECTRICAL DATA**

Controller	: Custom Made Micro-Processor Based
Make	: Trident
Input Voltage	: 100-240 VAC 50/60 Hz 1 Ph
Output	: 24VDC
Display	: LED Indication for Drying, Re-Pressurization & Drain
Enclosure	: IP55 Protection
Certification	: cUL USA Marking

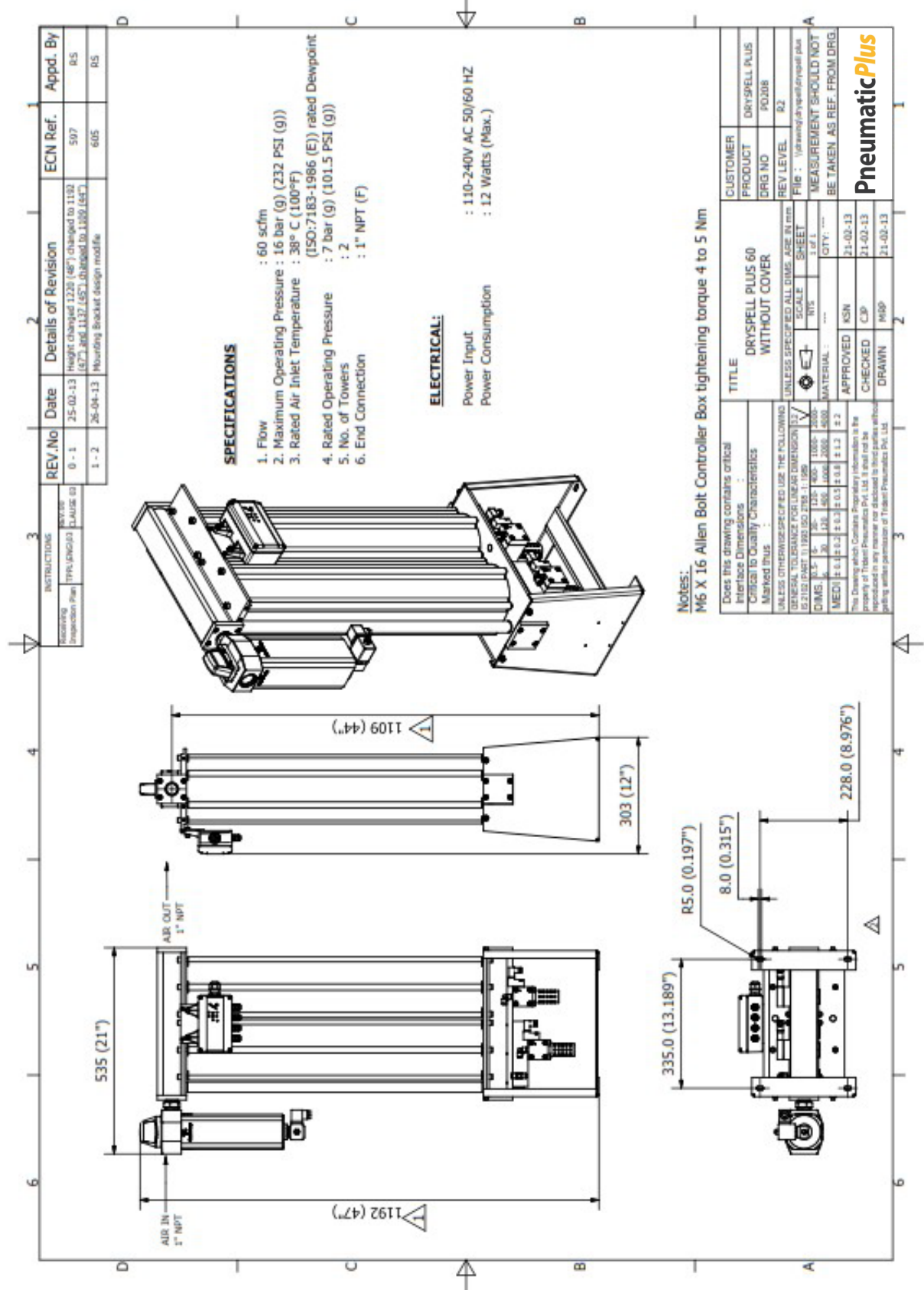
### **Dew Point Stretch Cycle:**

It stretches the moisture loading time of the desiccant bed by increasing the drying time. A dew point meter at the outlet with a required dew point setting provides the signal for the stretch cycle. This reduces the purge air in accordance to the air flow and dewpoint chosen. The purge occurs for the preprogrammed time during this time.

### **Purge Optimizer:**

It reduces the percentage of regeneration flow based on the front panel setting. It has 4 options 40%, 60%, 80% & 100% purge optimization cycles respectively. The settings correspond to flow or moisture load through the dryer.

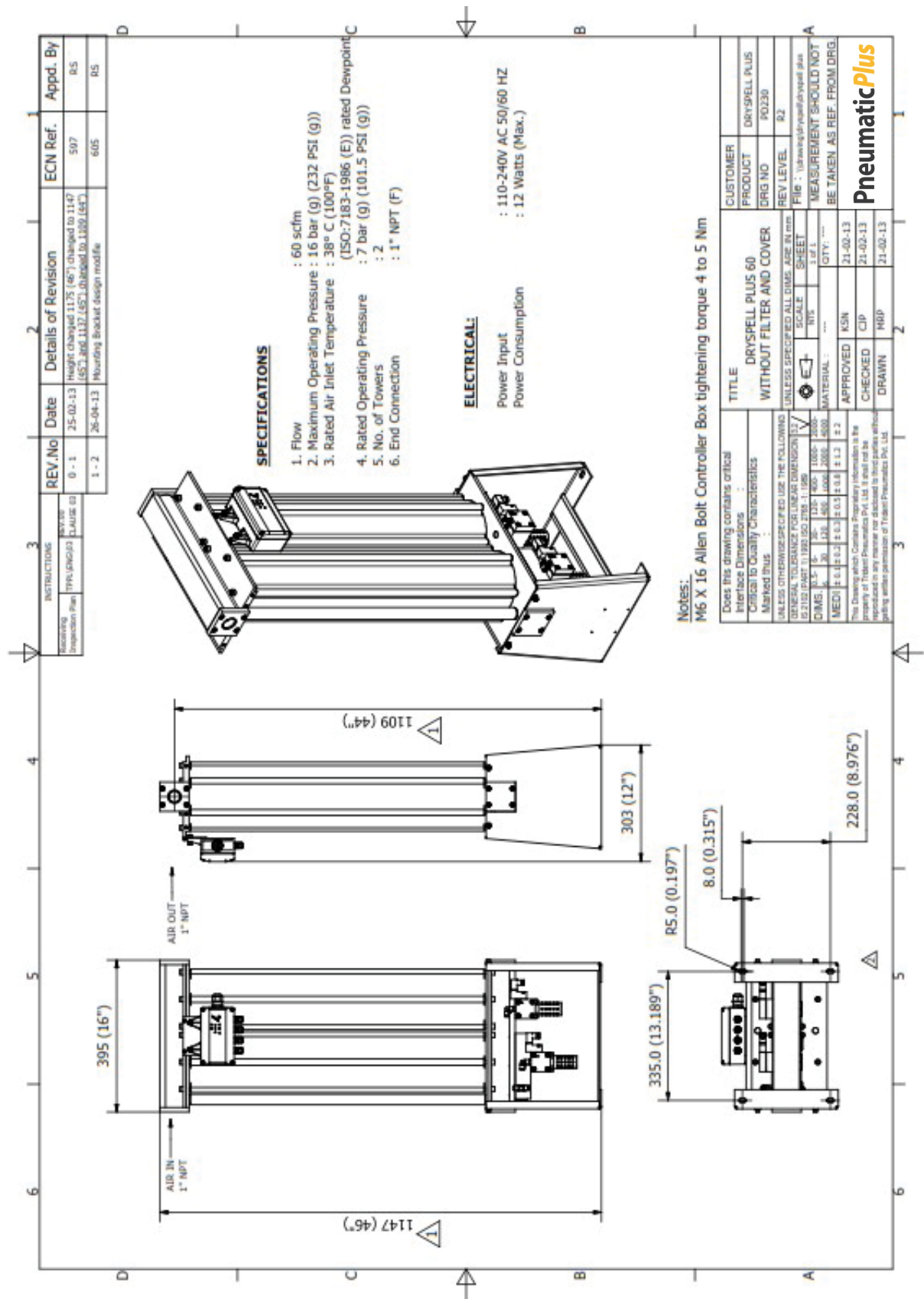
Separate LED Indicators for Tower Status, Purge Optimizer & Condensate Drain



Notes:  
 M6 X 16 Allen Bolt Controller Box tightening torque 4 to 5 Nm

Does this drawing contains critical Interface Dimensions	DRYSPELL PLUS 60 WITHOUT COVER	CUSTOMER	DRYSPELL PLUS
Critical to Quality Characteristics		PRDCT NO	PD308
Marked thus		DRG NO	
UNLESS OTHERWISE SPECIFIED USE THE FOLLOWING DIMENSIONAL TOLERANCE FOR LINEAR DIMENSION IS	SCALE	REV LEVEL	92
IS 2102 (PART 1) 1992 ISO 2768-1:1998	1:1	FIG :	(Drawing/Revision/Project) plus
DIMS	30 - 130	MEASUREMENT SHOULD NOT	
MED	± 0.13 ± 0.3 ± 0.5 ± 0.8 ± 1.3 ± 2	BE TAKEN AS REF. FROM DRG	
APPROVED	21-02-13		
CHECKED	21-02-13		
DRAWN	21-02-13		

**PneumaticPlus**



**SPECIFICATIONS**

- 1. Flow : 60 scfm
- 2. Maximum Operating Pressure : 16 bar (g) (232 PSI (g))
- 3. Rated Air Inlet Temperature : 38° C (100°F) (ISO:7183-1986 (E)) rated Dewpoint
- 4. Rated Operating Pressure : 7 bar (g) (101.5 PSI (g))
- 5. No. of Towers : 2
- 6. End Connection : 1" NPT (F)

**ELECTRICAL:**

- Power Input : 110-240V AC 50/60 HZ
- Power Consumption : 12 Watts (Max.)

Notes:  
M6 X 16 Allen Bolt Controller Box tightening torque 4 to 5 Nm

Does this drawing contains critical Interface Dimensions : Critical to Quality Characteristics : Marked thus :		TITLE : <b>DRYSPELL PLUS 60 WITHOUT FILTER AND COVER</b>	CUSTOMER : DRYSPELL PLUS
UNLESS OTHERWISE SPECIFIED USE THE FOLLOWING DIMENSIONS FOR LINEAR DIMENSIONS IN mm IS 2102 (PART 1) 1992 ISO 2768-1:1996	SCALE : 1:1	SHEET : 3 of 1	DRG NO : PD230
DIMS : 3.5 ± 0.25 6 ± 0.25 30 ± 0.15 130 ± 0.15 160 ± 0.15 180 ± 0.15 200 ± 0.15 260 ± 0.15 400 ± 0.15 450 ± 0.15	MATERIAL : MS	QTY : ---	REV LEVEL : R2
MED : ± 0.15 ± 0.3 ± 0.5 ± 1.3 ± 2.3	APPROVED : NSN	DATE : 21-02-13	FIG : : Ultrasonic dryspell plus
This Drawing which Contains Proprietary Information is the property of Tridest Pneumatics Pvt. Ltd. It shall not be reproduced in any manner nor disclosed to third parties without getting written permission of Tridest Pneumatics Pvt. Ltd.	CHECKED : CJP	DATE : 21-02-13	<b>MEASUREMENT SHOULD NOT BE TAKEN AS REF. FROM DRG</b>
	DRAWN : MRP	DATE : 21-02-13	<b>PneumaticPlus</b>

