

DRYSPELL PLUS

HEATLESS REGENERATIVE DESICCANT AIR DRYERS

PneumaticPlus

Mailing Address:
4733 Torrance Blvd #902
Torrance, CA 90503

Warehouse Address:
1330 E. 223rd St # 505
Carson, CA 90745

Phone: (800) 658-3579
Email: Support@pneumaticplus.com
Mon-Fri 9:00am to 5:00pm

PRODUCT NAME : DRYSPELL PLUS
MODEL : DRYSPELL PLUS 300
ITEM CODE : PD213 (without Cover & Includes external Pre - Filter)

1. SPECIFICATIONS

Flow : 300 scfm
Maximum Operating Pressure : 16 bar (g) (232 PSI (g))
Rated Air Inlet Temperature : 38° C (100° F) (ISO:7183-1986 (E)) rated Dewpoint
Rated Operating Pressure : 7 bar (g) (101.5 PSI (g))
Recommended External Pre-Filter Rating: 0.01 Microns (ISO: 8573-1:2010 (E) Class 1)
Cycle Time : 4 Minutes
Operating Voltage : 100-240 VAC 50/60 Hz 1 Ph
Dew Point : -40° C (-40° F) PDP (ISO: 8573-1:2010 (E) Class 2)
End Connections : 2" NPT
Purge Loss : 15±1%
Noise Level : <70 dBA
Pressure Drop : <0.3 bar (g) (<4.3 PSI (g))

2. TECHNICAL DATA

2.1 ADSORBER DATA

Type of adsorbent : Mixed Bed of Activated Alumina & Molecular Sieves
Adsorber Shell : Aluminum IS 63400
Top & Bottom Block : Aluminum IS 63400

2.2 PROCESS DATA

Description	Purge Optimizer			
	100%	80%	60%	40%
Cycle Time (min)	4	4	4	4
Drying Time (min)	2	2	2	2
Regeneration Time (Sec)	90	72	54	36
De-pressurization time (sec)	30	48	66	84

3. FILTER DATA

3.1 Standard with all units

Internal Built In After Filter Micron Rating : 25 Micron (ISO:8573-1:2010 (E) Class 5)

PneumaticPlus

PneumaticPlus reserves the right to change products or specifications without notice

3.2 Included with Item Code PD213

External Pre-Filter Particle Removal Rating	: 0.01 Micron (ISO:8573-1:2010 (E) Class 1)
Pre- Filter Oil Removal Rating	: 0.01 mg/m ³ (ISO:8573-1:2010 (E) Class 1)
Filtering Media	: Borosilicate Microfiber Glass
Efficiency	: 99.9%

3.3 Optional for all Units

External Post- Filter Particle Removal Rating	: 1 micron (ISO:8573-1:2010 (E) Class 2)
Post-Filter Oil Removal Rating	: 0.5 mg/m ³ (ISO:8573-1:2010 (E) Class 3)

4. ELECTRICAL DATA

Controller	: Custom Made Micro-Processor Based
Make	: Trident
Input Voltage	: 100-240 VAC 50/60 Hz 1 Ph
Output	: 24VDC
Display	: LED Indication for Drying, Re-Pressurization & Drain
Enclosure	: IP55 Protection
Certification	: cUL USA Marking

Dew Point Stretch Cycle:

It stretches the moisture loading time of the desiccant bed by increasing the drying time. A dew point meter at the outlet with a required dew point setting provides the signal for the stretch cycle. This reduces the purge air in accordance to the air flow and dewpoint chosen. The purge occurs for the preprogrammed time during this time.

Purge Optimizer:

It reduces the percentage of regeneration flow based on the front panel setting. It has 4 options 40%, 60%, 80% & 100% purge optimization cycles respectively. The settings correspond to flow or moisture load through the dryer.

Separate LED Indicators for Tower Status, Purge Optimizer & Condensate Drain

REV/No	Date	Details of Revision	ECN Ref.	Appd. By
0 - 1	25-02-13	Height changed 1525 (61") changed to 1515 (60") and 1504 (59") changed to 1504 (60")	307	MS

REVISIONS	DESCRIPTION
007/00	DRY SPELL PLUS 300
008/00	DRY SPELL PLUS 300

REV/No	Date	Details of Revision	ECN Ref.	Appd. By
0 - 1	25-02-13	Height changed 1525 (61") changed to 1515 (60") and 1504 (59") changed to 1504 (60")	307	MS

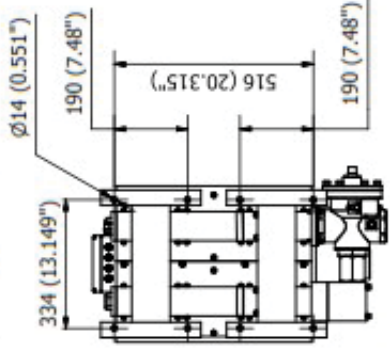
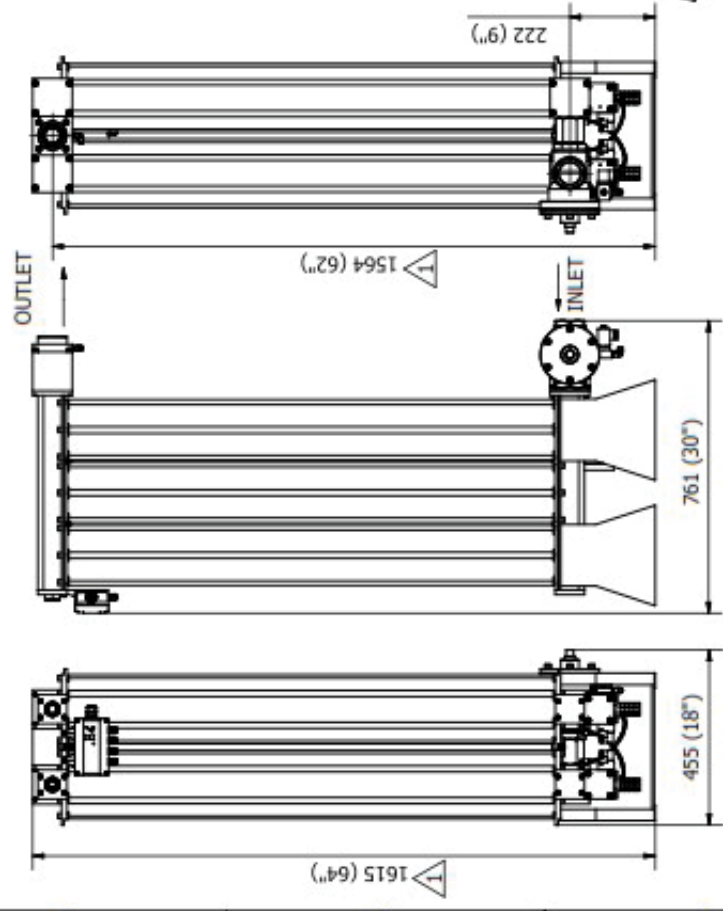
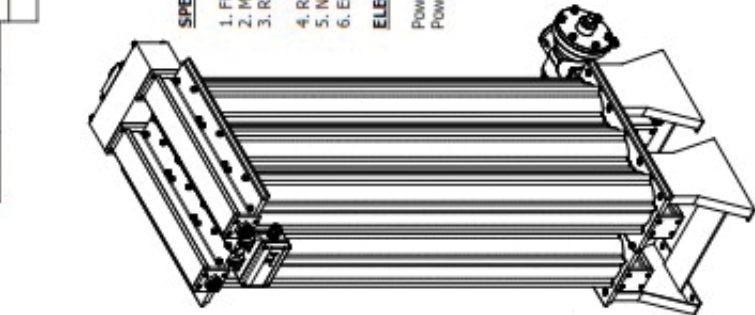
REVISIONS	DESCRIPTION
007/00	DRY SPELL PLUS 300
008/00	DRY SPELL PLUS 300

SPECIFICATIONS

1. Flow : 300 scfm
2. Maximum Operating Pressure : 16 bar (g) (232 PSI (g))
3. Rated Air Inlet Temperature : 38° C (100°F) (ISO:7183-1986 (E)) rated Dewpoint
4. Rated Operating Pressure : 7 bar (g) (101.5 PSI (g))
5. No. of Towers : 2
6. End Connection : 2" NPT (F)

ELECTRICAL:

- Power Input : 110-240V AC 50/60 HZ
- Power Consumption : 12 Watts (Max.)



Does this drawing contains critical interface Dimensions :		TITLE		CUSTOMER	
Marked Plus :		DRY SPELL PLUS 300 WITHOUT FILTER AND COVER		DRY SPELL PLUS	
UNLESS OTHERWISE SPECIFIED USE THE FOLLOWING		SCALE		DRG NO	
AS PER IS 2152 (PART 1), 1993 AND 2150 - 1, 1998		N.T.S.		PD235	
GENERAL TOLERANCE FOR LINEAR DIMENSION		SHEET		REV LEVEL	
0.5 - 30 : 120 - 400 : 1000 - 2000		1 OF 1		R1	
DIMS		MATERIAL :		FILB : <i>(Material grade for part/drawing file)</i>	
F : 0.1 ± 0.2 ± 0.3 ± 0.5 ± 0.8 ± 1.3 ± 2		APPROVED		MEASUREMENT SHOULD NOT BE TAKEN AS REF. FROM DRG	
MED : ± 0.1 ± 0.2 ± 0.3 ± 0.5 ± 0.8 ± 1.3 ± 2		KSN		07-02-13	
This Drawing which Contains Proprietary Information is the property of Trivalent Pneumatics Pvt. Ltd. It shall not be reproduced in any manner nor disclosed to third parties without getting written permission of Trivalent Pneumatics Pvt. Ltd.		CHECKED		07-02-13	
		JP		07-02-13	
		DRAWN		07-02-13	
		MRP			

PneumaticPlus

