

DRYSPELL PLUS

HEATLESS REGENERATIVE DESICCANT AIR DRYERS

PneumaticPlus

Mailing Address:
4733 Torrance Blvd #902
Torrance, CA 90503

Warehouse Address:
1330 E. 223rd St # 505
Carson, CA 90745

Phone: (800) 658-3579
Email: Support@pneumaticplus.com
Mon-Fri 9:00am to 5:00pm

PRODUCT NAME : DRYSPELL PLUS
MODEL : DRYSPELL PLUS 200
ITEM CODE : PD211 (without Cover & Includes external Pre - Filter)

1. SPECIFICATIONS

Flow : 200 scfm
Maximum Operating Pressure : 16 bar (g) (232 PSI (g))
Rated Air Inlet Temperature : 38° C (100° F) (ISO:7183-1986 (E)) rated Dewpoint
Rated Operating Pressure : 7 bar (g) (101.5 PSI (g))
Recommended External Pre-Filter Rating: 0.01 Microns (ISO: 8573-1:2010 (E) Class 1)
Cycle Time : 4 Minutes
Operating Voltage : 100-240 VAC 50/60 Hz 1 Ph
Dew Point : -40° C(-40° F) PDP (ISO: 8573-1:2010 (E) Class 2)
End Connections : 1 1/2" NPT
Purge Loss : 15±1%
Noise Level : <70 dBA
Pressure Drop : <0.3 bar (g) (<4.3 PSI (g))

2. TECHNICAL DATA

2.1 ADSORBER DATA

Type of adsorbent : Mixed Bed of Activated Alumina & Molecular Sieves
Adsorber Shell : Aluminum IS 63400
Top & Bottom Block : Aluminum IS 63400

2.2 PROCESS DATA

Description	Purge Optimizer			
	100%	80%	60%	40%
Cycle Time (min)	4	4	4	4
Drying Time (min)	2	2	2	2
Regeneration Time (Sec)	90	72	54	36
De-pressurization time (sec)	30	48	66	84

3. FILTER DATA

3.1 Standard with all units

Internal Built In After Filter Micron Rating : 25 Micron (ISO:8573-1:2010 (E) Class 5)

3.2 Included with Item Code PD211

External Pre-Filter Particle Removal Rating	: 0.01 Micron (ISO:8573-1:2010 (E) Class 1)
Pre- Filter Oil Removal Rating	: 0.01 mg/m ³ (ISO:8573-1:2010 (E) Class 1)
Filtering Media	: Borosilicate Microfiber Glass
Efficiency	: 99.9%

3.3 Optional for all Units

External Post- Filter Particle Removal Rating	: 1 micron (ISO:8573-1:2010 (E) Class 2)
Post-Filter Oil Removal Rating	: 0.5 mg/m ³ (ISO:8573-1:2010 (E) Class 3)

4. ELECTRICAL DATA

Controller	: Custom Made Micro-Processor Based
Make	: Trident
Input Voltage	: 100-240 VAC 50/60 Hz 1 Ph
Output	: 24VDC
Display	: LED Indication for Drying, Re-Pressurization & Drain
Enclosure	: IP55 Protection
Certification	: cUL USA Marking

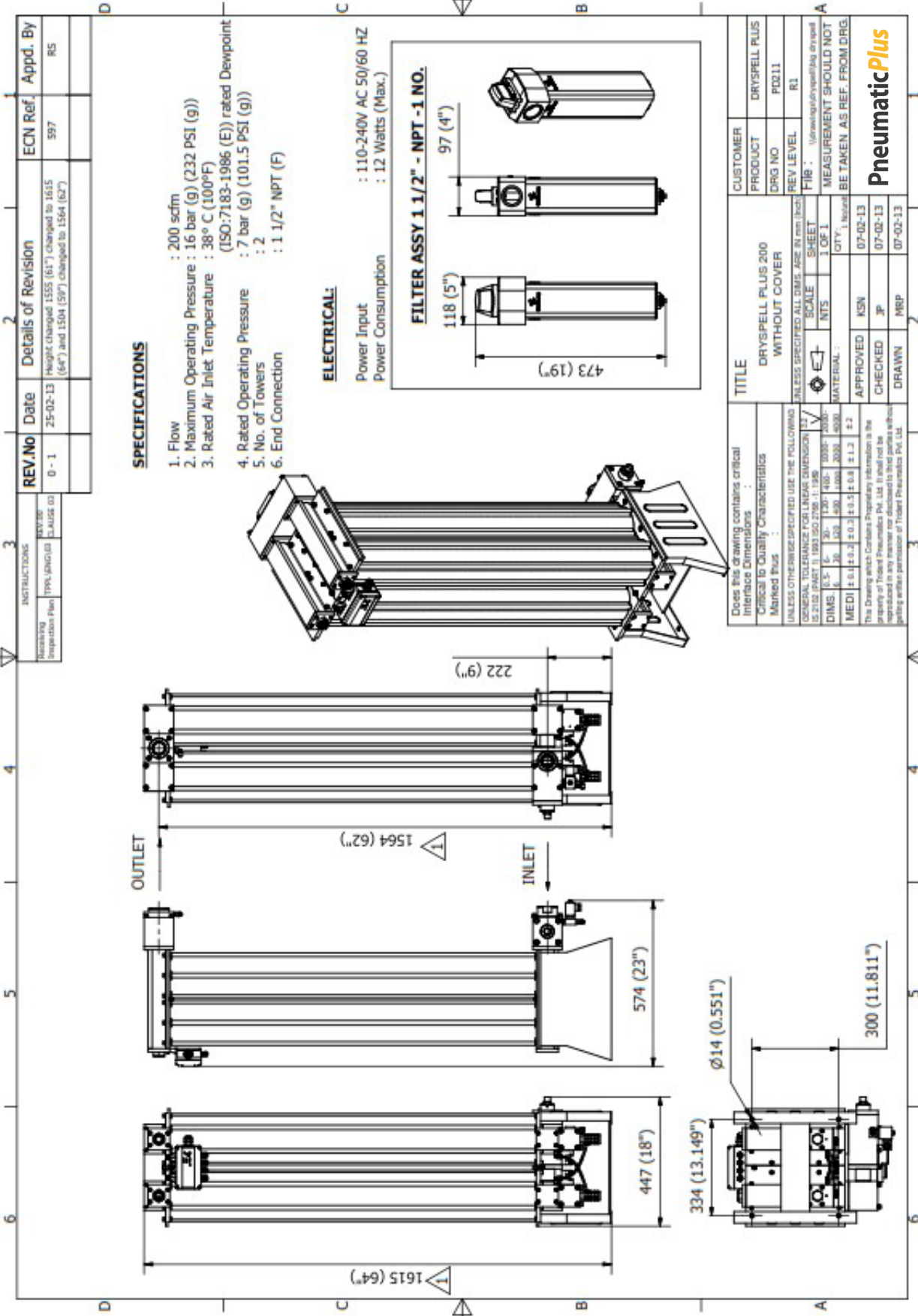
Dew Point Stretch Cycle:

It stretches the moisture loading time of the desiccant bed by increasing the drying time. A dew point meter at the outlet with a required dew point setting provides the signal for the stretch cycle. This reduces the purge air in accordance to the air flow and dewpoint chosen. The purge occurs for the preprogrammed time during this time.

Purge Optimizer:

It reduces the percentage of regeneration flow based on the front panel setting. It has 4 options 40%, 60%, 80% & 100% purge optimization cycles respectively. The settings correspond to flow or moisture load through the dryer.

Separate LED Indicators for Tower Status, Purge Optimizer & Condensate Drain



REV.No	Date	Details of Revision	ECN Ref.	Appd. By
0 - 1	25-02-13	Height changed 1555 (61") changed to 1615 (64") and 1504 (59") changed to 1564 (62")	597	RS

INSTRUCTIONS	REV. NO.	CLAUSE ID
Marking Inspection Plan	001	001

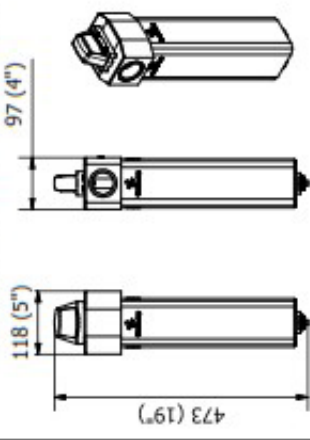
SPECIFICATIONS

- 1. Flow : 200 scfm
- 2. Maximum Operating Pressure : 16 bar (g) (232 PSI (g))
- 3. Rated Air Inlet Temperature : 38° C (100°F) (ISO:7183-1986 (E)) rated Dewpoint
- 4. Rated Operating Pressure : 7 bar (g) (101.5 PSI (g))
- 5. No. of Towers : 2
- 6. End Connection : 1 1/2" NPT (F)

ELECTRICAL:

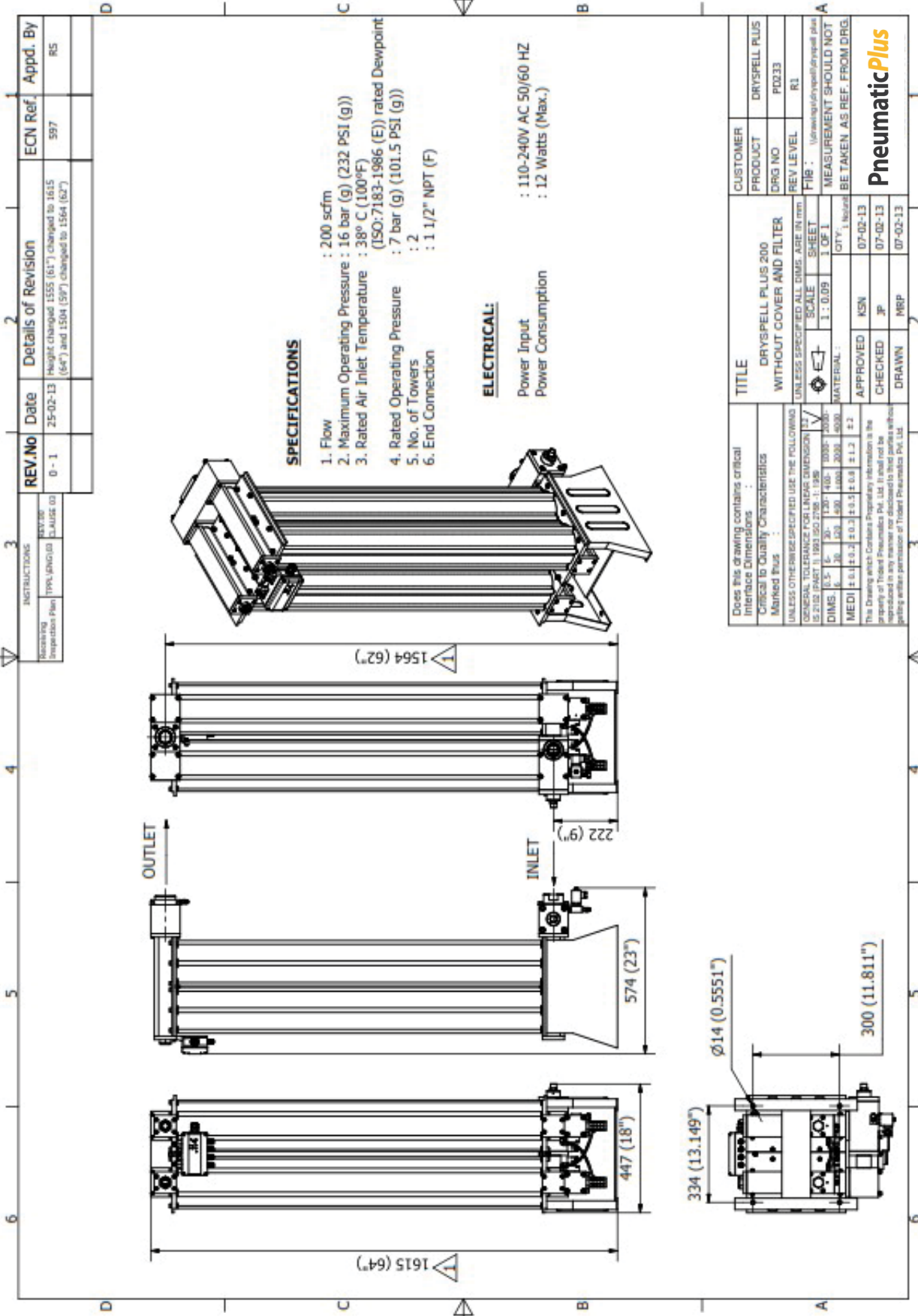
Power Input : 110-240V AC 50/60 HZ
 Power Consumption : 12 Watts (Max.)

FILTER ASSY 1 1/2" - NPT - 1 NO.



Does this drawing contains critical interface Dimensions :		TITLE		CUSTOMER	
Critical to Quality Characteristics		DRYSPELL PLUS 200 WITHOUT COVER		PRODUCT	DRYSPELL PLUS
Marked Plus :		SCALE		DRG NO	PD211
UNLESS OTHERWISE SPECIFIED USE THE FOLLOWING		1 OF 1		REV LEVEL	R1
GENERAL TOLERANCE FOR LINEAR DIMENSION IS 0.152 (PART 1), 0.002 (PART 2)		MATERIAL		FILM : (www.pneumaticplus.com)	
DIM. 0.5 - 1.25 ± 0.05		APPROVED		MEASUREMENT SHOULD NOT BE TAKEN AS REF. FROM DRG	
DIM. 1.25 - 30 ± 0.1		KSN		07-02-13	
DIM. 30 - 100 ± 0.15		CHECKED		07-02-13	
DIM. 100 - 500 ± 0.2		DRAWN		07-02-13	
DIM. 500 - 1000 ± 0.3		MRP			
DIM. 1000 - 3000 ± 0.5					
DIM. 3000 - 10000 ± 1.0					
DIM. 10000 - 30000 ± 1.5					
DIM. 30000 - 100000 ± 2.0					
DIM. 100000 - 300000 ± 3.0					
DIM. 300000 - 1000000 ± 4.0					
DIM. 1000000 - 3000000 ± 5.0					
DIM. 3000000 - 10000000 ± 6.0					
DIM. 10000000 - 30000000 ± 7.0					
DIM. 30000000 - 100000000 ± 8.0					
DIM. 100000000 - 300000000 ± 9.0					
DIM. 300000000 - 1000000000 ± 10.0					
DIM. 1000000000 - 3000000000 ± 11.0					
DIM. 3000000000 - 10000000000 ± 12.0					
DIM. 10000000000 - 30000000000 ± 13.0					
DIM. 30000000000 - 100000000000 ± 14.0					
DIM. 100000000000 - 300000000000 ± 15.0					
DIM. 300000000000 - 1000000000000 ± 16.0					
DIM. 1000000000000 - 3000000000000 ± 17.0					
DIM. 3000000000000 - 10000000000000 ± 18.0					
DIM. 10000000000000 - 30000000000000 ± 19.0					
DIM. 30000000000000 - 100000000000000 ± 20.0					
DIM. 100000000000000 - 300000000000000 ± 21.0					
DIM. 300000000000000 - 1000000000000000 ± 22.0					
DIM. 1000000000000000 - 3000000000000000 ± 23.0					
DIM. 3000000000000000 - 10000000000000000 ± 24.0					
DIM. 10000000000000000 - 30000000000000000 ± 25.0					
DIM. 30000000000000000 - 100000000000000000 ± 26.0					
DIM. 100000000000000000 - 300000000000000000 ± 27.0					
DIM. 300000000000000000 - 1000000000000000000 ± 28.0					
DIM. 1000000000000000000 - 3000000000000000000 ± 29.0					
DIM. 3000000000000000000 - 10000000000000000000 ± 30.0					

PneumaticPlus



REV.No	Date	Details of Revision	ECN Ref.	Appd. By
0 - 1	25-02-13	Height changed 1555 (61") changed to 1615 (64") and 1504 (59") changed to 1564 (62")	597	RS

INSTRUCTIONS	
Marking	REV.00
Preparation Plan	CLAUSE 03

SPECIFICATIONS

- 1. Flow : 200 scfm
- 2. Maximum Operating Pressure : 16 bar (g) (232 PSI (g))
- 3. Rated Air Inlet Temperature : 38° C (100°F)
(ISO:7183-1986 (E)) rated Dewpoint
- 4. Rated Operating Pressure : 7 bar (g) (101.5 PSI (g))
- 5. No. of Towers : 2
- 6. End Connection : 1 1/2" NPT (F)

ELECTRICAL:

- Power Input : 110-240V AC 50/60 HZ
- Power Consumption : 12 Watts (Max.)

Does this drawing contains critical Interface Dimensions :		TITLE		CUSTOMER	
Marked Plus :		DRYSPELL PLUS 200		DRYSPELL PLUS	
UNLESS OTHERWISE SPECIFIED USE THE FOLLOWING		WITHOUT COVER AND FILTER		DRG NO P0233	
GENERAL TOLERANCE FOR LINEAR DIMENSION IS 2152 (PART II) 100-500 2150-1:1:95		SCALE		REV LEVEL R1	
DIM5 0.5 1 2 3 4 5 6 7 8 9 10 12 15 20 25 30 40 50 60 70 80 100 125 150 200 250 300 400 500 600 800 1000 1250 1500 2000 2500 3000 4000 5000		1 : 0.09 1 OF 1		FIB :	
MED1 ± 0.1 ± 0.2 ± 0.3 ± 0.5 ± 0.8 ± 1.2 ± 2		MATERIAL :		MEASUREMENT SHOULD NOT BE TAKEN AS REF. FROM DRG.	
This Drawing which Contains Proprietary Information is the Property of Trivalent Pneumatics Pvt. Ltd. It shall not be reproduced in any manner nor disclosed to third parties without getting written permission of Trivalent Pneumatics Pvt. Ltd.		APPROVED KSN		07-02-13	
		CHECKED JP		07-02-13	
		DRAWN MRP		07-02-13	

PneumaticPlus

