

DRYSPELL PLUS

HEATLESS REGENERATIVE DESICCANT AIR DRYERS

PneumaticPlus

Mailing Address:
4733 Torrance Blvd #902
Torrance, CA 90503

Warehouse Address:
1330 E. 223rd St # 505
Carson, CA 90745

Phone: (800) 658-3579
Email: Support@pneumaticplus.com
Mon-Fri 9:00am to 5:00pm

PRODUCT NAME : DRYSPELL PLUS
MODEL : DRYSPELL PLUS 20
ITEM CODE : PD205 (without Cover & Includes external Pre - Filter)

1. SPECIFICATIONS

Flow : 20 scfm
Maximum Operating Pressure : 16 bar (g) (232 PSI (g))
Rated Air Inlet Temperature : 38° C (100° F) (ISO:7183-1986 (E)) rated Dewpoint
Rated Operating Pressure : 7 bar (g) (101.5 PSI (g))
Recommended External Pre-Filter Rating: 0.01 Microns (ISO: 8573-1:2010 (E) Class 1)
Cycle Time : 4 Minutes
Operating Voltage : 100-240 VAC 50/60 Hz 1 Ph
Dew Point : -40° C (-40° F) PDP (ISO: 8573-1:2010 (E) Class 2)
End Connections : 1/2" NPT
Purge Loss : 15±1%
Noise Level : <70 dBA
Pressure Drop : <0.3 bar (g) (<4.3 PSI (g))

2. TECHNICAL DATA

2.1 ADSORBER DATA

Type of adsorbent : Mixed Bed of Activated Alumina & Molecular Sieves
Adsorber Shell : Aluminum IS 63400
Top & Bottom Block : Aluminum IS 63400

2.2 PROCESS DATA

Description	Purge Optimizer			
	100%	80%	60%	40%
Cycle Time (min)	4	4	4	4
Drying Time (min)	2	2	2	2
Regeneration Time (Sec)	90	72	54	36
De-pressurization time (sec)	30	48	66	84

3. FILTER DATA

3.1 Standard with all units

Internal Built In After Filter Micron Rating : 25 Micron (ISO:8573-1:2010 (E) Class 5)

PneumaticPlus

PneumaticPlus reserves the right to change products or specifications without notice

3.2 Included with Item Code PD205

External Pre-Filter Particle Removal Rating	: 0.01 Micron (ISO:8573-1:2010 (E) Class 1)
Pre- Filter Oil Removal Rating	: 0.01 mg/m ³ (ISO:8573-1:2010 (E) Class 1)
Filtering Media	: Borosilicate Microfiber Glass
Efficiency	: 99.9%

3.3 Optional for all Units

External Post- Filter Particle Removal Rating	: 1 micron (ISO:8573-1:2010 (E) Class 2)
Post-Filter Oil Removal Rating	: 0.5 mg/m ³ (ISO:8573-1:2010 (E) Class 3)

4. ELECTRICAL DATA

Controller	: Custom Made Micro-Processor Based
Make	: Trident
Input Voltage	: 100-240 VAC 50/60 Hz 1 Ph
Output	: 24VDC
Display	: LED Indication for Drying, Re-Pressurization & Drain
Enclosure	: IP55 Protection
Certification	: cUL USA Marking

Dew Point Stretch Cycle:

It stretches the moisture loading time of the desiccant bed by increasing the drying time. A dew point meter at the outlet with a required dew point setting provides the signal for the stretch cycle. This reduces the purge air in accordance to the air flow and dewpoint chosen. The purge occurs for the preprogrammed time during this time.

Purge Optimizer:

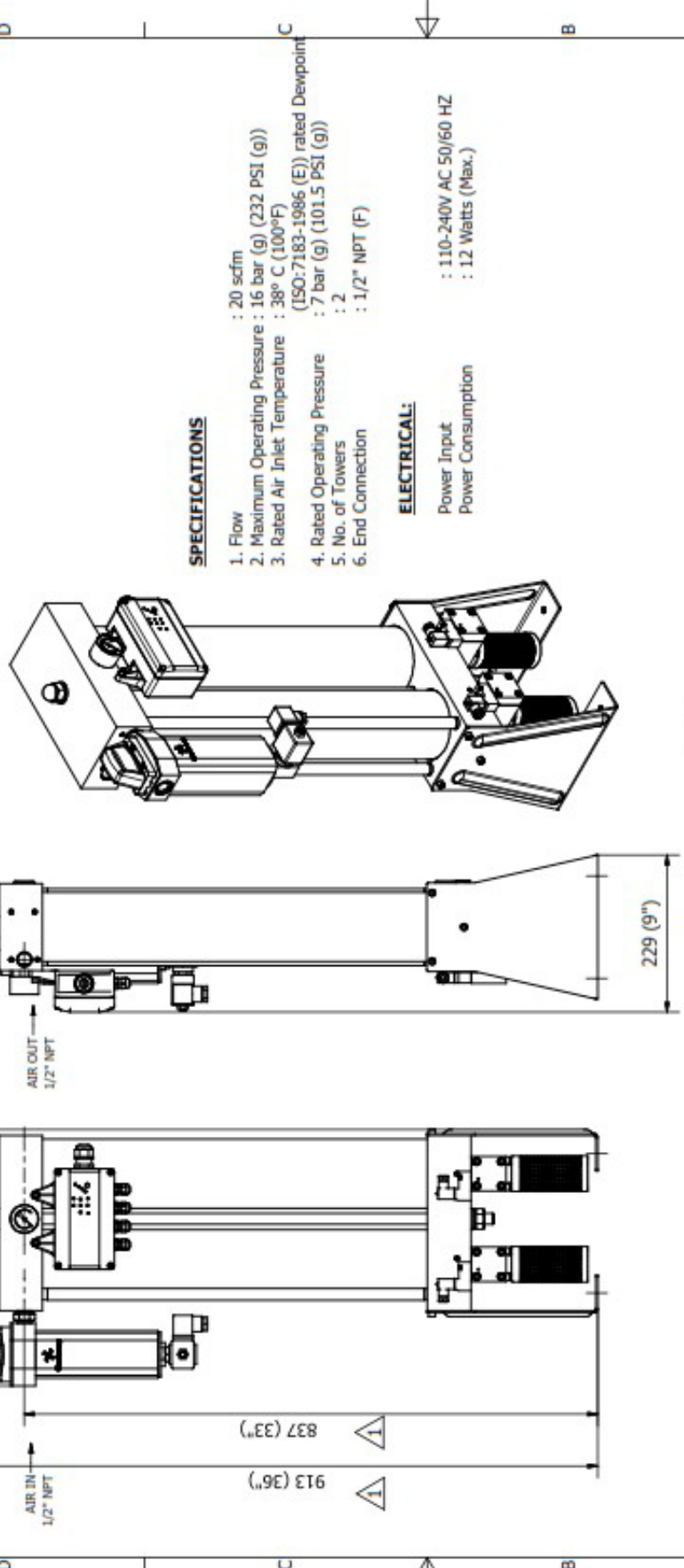
It reduces the percentage of regeneration flow based on the front panel setting. It has 4 options 40%, 60%, 80% & 100% purge optimization cycles respectively. The settings correspond to flow or moisture load through the dryer.

Separate LED Indicators for Tower Status, Purge Optimizer & Condensate Drain

INSTRUCTIONS		REV. No		Date		Details of Revision		ECN Ref.		Appd. By	
MEASUREMENTS INSPECTION PLAN		0 - 1		25-02-13		Height changed 817 (327) changed 10837 (337) and 803 (357) changed 36 (33) (287)		597		RS	

TITLE		DRYSPELL PLUS 20		WITHOUT COVER		CUSTOMER		DRYSPELL PLUS		APPD. BY	
MARKED THIS :		SCALE		SHEET		DRG NO		PD005		RS	
UNLESS OTHERWISE SPECIFIED USE THE FOLLOWING		UNLESS SPECIFIED ALL DIMS. ARE IN mm (inch)		REV LEVEL		REV LEVEL		RI		RS	
GENERAL TOLERANCE FOR LINEAR DIMENSION		IS 2152 (PART 1) 1993 ISO 2768-1:1998		F1/8		MEASUREMENT SHOULD NOT		BE TAKEN AS REF. FROM DRG		PneumaticPlus	
DIM.		F 10 20 30 40 50 60 70 80 90 100 125 150 200 250 300 400 500		MATERIAL :		CITY :		DATE :		DATE :	
MED		± 0.1 ± 0.2 ± 0.3 ± 0.5 ± 0.8 ± 1.2 ± 2		APPROVED		RS		26-11-12		26-11-12	
THIS DRAWING WHICH CONTAINS PROPRIETARY INFORMATION IS THE		PROPERTY OF TRIDENT PNEUMATICS PVT. LTD. IT SHALL NOT BE		REPRODUCED IN ANY MANNER NOR DISCLOSED TO THIRD PARTIES WITHOUT		GETTING WRITTEN PERMISSION OF TRIDENT PNEUMATICS PVT. LTD.					

APPROVED		RS		26-11-12		CHECKED		C/P		26-11-12	
DRAWN		TP		26-11-12							



SPECIFICATIONS

1. Flow : 20 scfm
2. Maximum Operating Pressure : 16 bar (g) (232 PSI (g))
3. Rated Air Inlet Temperature : 38° C (100°F)
(ISO:7183-1986 (E)) rated Dewpoint
4. Rated Operating Pressure : 7 bar (g) (101.5 PSI (g))
5. No. of Towers : 2
6. End Connection : 1/2" NPT (F)

ELECTRICAL:

Power Input : 110-240V AC 50/60 HZ
Power Consumption : 12 Watts (Max.)

NOTES:
M6 X 16 Allen Bolt Controller Box tightening torque 4 to 5 Nm

Does this drawing contains critical interface dimensions :

Marked this :

UNLESS OTHERWISE SPECIFIED USE THE FOLLOWING
IS 2152 (PART 1) 1993 ISO 2768-1:1998
GENERAL TOLERANCE FOR LINEAR DIMENSION
DIM. F 10 20 30 40 50 60 70 80 90 100 125 150 200 250 300 400 500
MED ± 0.1 ± 0.2 ± 0.3 ± 0.5 ± 0.8 ± 1.2 ± 2
THIS DRAWING WHICH CONTAINS PROPRIETARY INFORMATION IS THE PROPERTY OF TRIDENT PNEUMATICS PVT. LTD. IT SHALL NOT BE REPRODUCED IN ANY MANNER NOR DISCLOSED TO THIRD PARTIES WITHOUT GETTING WRITTEN PERMISSION OF TRIDENT PNEUMATICS PVT. LTD.

INSTRUCTIONS		REV. No		Date		Details of Revision		ECN Ref.		Appd. By	
Measuring		0 - 1		25-02-13		Height changed 817 (327) changed to 837 (337) and 886 (357) changed to 906 (376)		597		RS	
INSPECTION PLAN											

