

DRYSPELL PLUS

HEATLESS REGENERATIVE DESICCANT AIR DRYERS

PneumaticPlus

Mailing Address:
4733 Torrance Blvd #902
Torrance, CA 90503

Warehouse Address:
1330 E. 223rd St # 505
Carson, CA 90745

Phone: (800) 658-3579
Email: Support@pneumaticplus.com
Mon-Fri 9:00am to 5:00pm

PRODUCT NAME : DRYSPELL PLUS
MODEL : DRYSPELL PLUS 100
ITEM CODE : PD209 (without Cover & Includes external Pre - Filter)

1. SPECIFICATIONS

Flow : 100 scfm
Maximum Operating Pressure : 16 bar (g) (232 PSI (g))
Rated Air Inlet Temperature : 38° C (100° F) (ISO:7183-1986 (E)) rated Dewpoint
Rated Operating Pressure : 7 bar (g) (101.5 PSI (g))
Recommended External Pre-Filter Rating: 0.01 Microns (ISO: 8573-1:2010 (E) Class 1)
Cycle Time : 4 Minutes
Operating Voltage : 100-240 VAC 50/60 Hz 1 Ph
Dew Point : -40° C(-40° F) PDP (ISO: 8573-1:2010 (E) Class 2)
End Connections : 1" NPT
Purge Loss : 15±1%
Noise Level : <70 dBA
Pressure Drop : <0.3 bar (g) (<4.3 PSI (g))

2. TECHNICAL DATA

2.1 ADSORBER DATA

Type of adsorbent : Mixed Bed of Activated Alumina & Molecular Sieves
Adsorber Shell : Aluminum IS 63400
Top & Bottom Block : Aluminum IS 63400

2.2 PROCESS DATA

Description	Purge Optimizer			
	100%	80%	60%	40%
Cycle Time (min)	4	4	4	4
Drying Time (min)	2	2	2	2
Regeneration Time (Sec)	90	72	54	36
De-pressurization time (sec)	30	48	66	84

3. FILTER DATA

3.1 Standard with all units

Internal Built In After Filter Micron Rating : 25 Micron (ISO:8573-1:2010 (E) Class 5)

3.2 Included with Item Code PD209

External Pre-Filter Particle Removal Rating	: 0.01 Micron (ISO:8573-1:2010 (E) Class 1)
Pre- Filter Oil Removal Rating	: 0.01 mg/m ³ (ISO:8573-1:2010 (E) Class 1)
Filtering Media	: Borosilicate Microfiber Glass
Efficiency	: 99.9%

3.3 Optional for all Units

External Post- Filter Particle Removal Rating	: 1 micron (ISO:8573-1:2010 (E) Class 2)
Post-Filter Oil Removal Rating	: 0.5 mg/m ³ (ISO:8573-1:2010 (E) Class 3)

4. ELECTRICAL DATA

Controller	: Custom Made Micro-Processor Based
Make	: Trident
Input Voltage	: 100-240 VAC 50/60 Hz 1 Ph
Output	: 24VDC
Display	: LED Indication for Drying, Re-Pressurization & Drain
Enclosure	: IP55 Protection
Certification	: cUL USA Marking

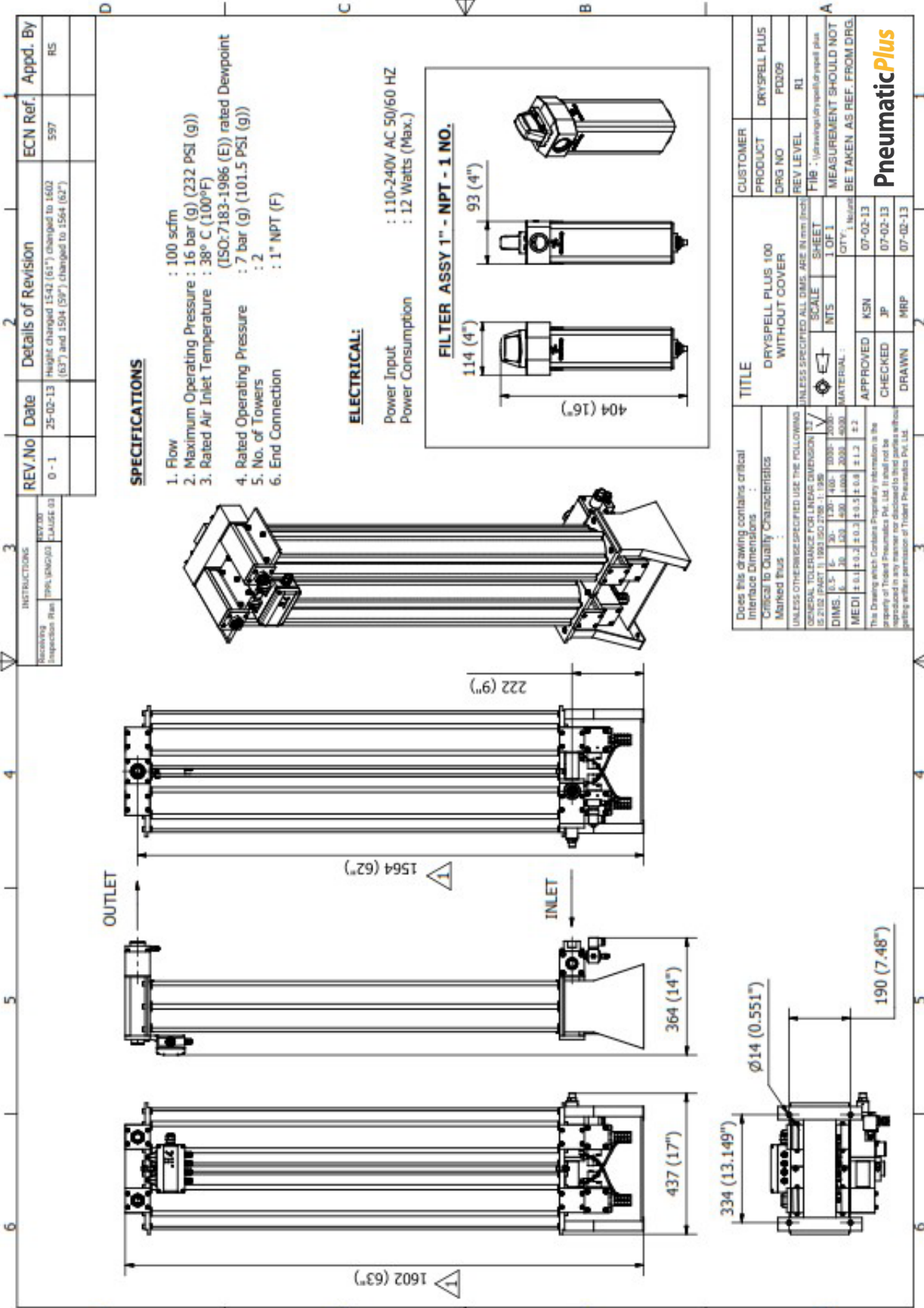
Dew Point Stretch Cycle:

It stretches the moisture loading time of the desiccant bed by increasing the drying time. A dew point meter at the outlet with a required dew point setting provides the signal for the stretch cycle. This reduces the purge air in accordance to the air flow and dewpoint chosen. The purge occurs for the preprogrammed time during this time.

Purge Optimizer:

It reduces the percentage of regeneration flow based on the front panel setting. It has 4 options 40%, 60%, 80% & 100% purge optimization cycles respectively. The settings correspond to flow or moisture load through the dryer.

Separate LED Indicators for Tower Status, Purge Optimizer & Condensate Drain



REV.No	Date	Details of Revision	ECN Ref.	Appd. By
0 - 1	25-02-13	Height changed 1542 (61") changed to 1602 (63") and 1504 (59") changed to 1564 (62")	557	RS

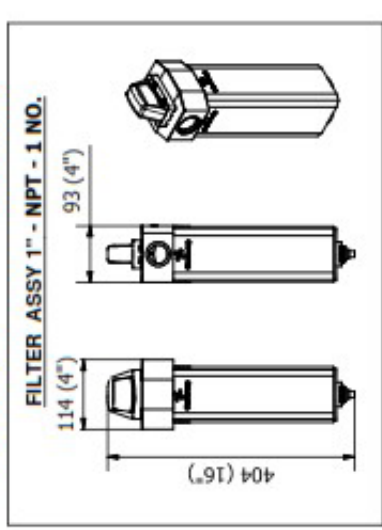
INSTRUCTIONS	REV.300	INSPECTION PLAN	INSPECTION CLAUSE (I)

SPECIFICATIONS

1. Flow : 100 scfm
2. Maximum Operating Pressure : 16 bar (g) (232 PSI (g))
3. Rated Air Inlet Temperature : 38° C (100°F) (ISO:7183-1986 (E) rated Dewpoint)
4. Rated Operating Pressure : 7 bar (g) (101.5 PSI (g))
5. No. of Towers : 2
6. End Connection : 1" NPT (F)

ELECTRICAL:

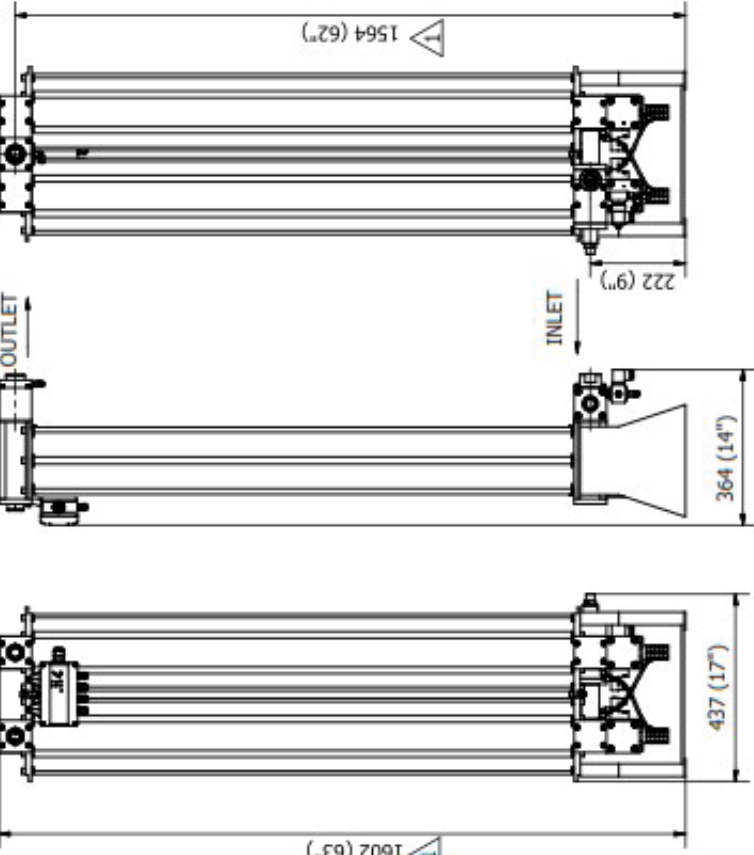
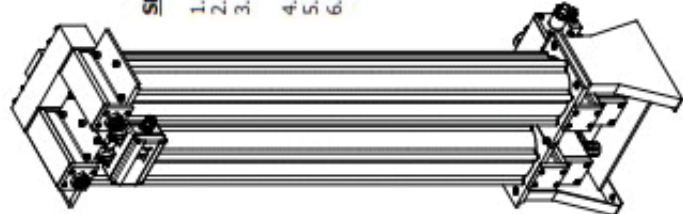
Power Input : 110-240V AC 50/60 HZ
 Power Consumption : 12 Watts (Max.)



Does this drawing contains critical interface Dimensions :		TITLE		CUSTOMER	
Critical to Quality Characteristics		DRYSPELL PLUS 100 WITHOUT COVER		DRYSPELL PLUS	
Marked Thus :		UNLESS OTHERWISE SPECIFIED USE THE FOLLOWING		DRG NO PD009	
		US 2152 (PART 1), ISO 2768-1, 1998		REV LEVEL R1	
		GENERAL TOLERANCE FOR LINEAR DIMENSION		FINISH : http://www.pneumaticplus.com	
		F 12 10 12 15 20 30 40 50 63 80 100 125 160 200 250 315 400 500		MEASUREMENT SHOULD NOT BE TAKEN AS REF. FROM DRG	
		DIMS		SCALE	
		F 12 10 12 15 20 30 40 50 63 80 100 125 160 200 250 315 400 500		N/T	
		MED		SHEET	
		F 12 10 12 15 20 30 40 50 63 80 100 125 160 200 250 315 400 500		1 OF 1	
		MATERIAL :		CITY : Ireland	
		APPROVED		APPROVED	
		KSN		KSN	
		CHECKED		JP	
		DRAWN		MRP	
		07-02-13		07-02-13	
		07-02-13		07-02-13	

PneumaticPlus

INSTRUCTIONS		REVISED	
Receiving Inspection Plan	TRM-654G/03	Clause 03	
REV.No	Date	Details of Revision	ECN Ref.
0 - 1	25-02-13	Height changed 1542 (617) changed to 1602 (637) and 1504 (597) changed to 1564 (627)	597
			Appd. By RS

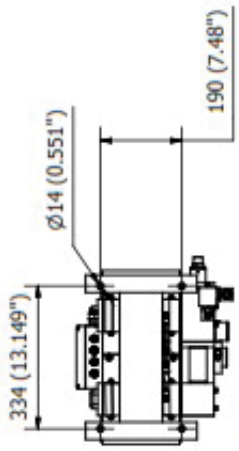


SPECIFICATIONS

1. Flow : 100 scfm
2. Maximum Operating Pressure : 16 bar (g) (232 PSI (g))
3. Rated Air Inlet Temperature : 38° C (100°F)
(ISO:7183-1986 (E) rated Dewpoint
4. Rated Operating Pressure : 7 bar (g) (101.5 PSI (g))
5. No. of Towers : 2
6. End Connection : 1" NPT (F)

ELECTRICAL:

Power Input : 110-240V AC 50/60 HZ
Power Consumption : 12 Watts (Max.)



Does this drawing contains critical interface Dimensions :		TITLE	
Marked Plus :		DRYSPELL PLUS 100	
UNLESS OTHERWISE SPECIFIED USE THE FOLLOWING		WITHOUT COVER AND FILTER	
GENERAL TOLERANCE FOR LINEAR DIMENSION IS 0.152 (PART 1), 0.025 (PART 2)	SCALE	DRG NO	CUSTOMER
DIMS. 1: 0.09 2: 0.09 3: 0.09 4: 0.09 5: 0.09 6: 0.09 7: 0.09 8: 0.09 9: 0.09 10: 0.09 11: 0.09 12: 0.09 13: 0.09 14: 0.09 15: 0.09 16: 0.09 17: 0.09 18: 0.09 19: 0.09 20: 0.09 21: 0.09 22: 0.09 23: 0.09 24: 0.09 25: 0.09 26: 0.09 27: 0.09 28: 0.09 29: 0.09 30: 0.09 31: 0.09 32: 0.09 33: 0.09 34: 0.09 35: 0.09 36: 0.09 37: 0.09 38: 0.09 39: 0.09 40: 0.09 41: 0.09 42: 0.09 43: 0.09 44: 0.09 45: 0.09 46: 0.09 47: 0.09 48: 0.09 49: 0.09 50: 0.09 51: 0.09 52: 0.09 53: 0.09 54: 0.09 55: 0.09 56: 0.09 57: 0.09 58: 0.09 59: 0.09 60: 0.09 61: 0.09 62: 0.09 63: 0.09 64: 0.09 65: 0.09 66: 0.09 67: 0.09 68: 0.09 69: 0.09 70: 0.09 71: 0.09 72: 0.09 73: 0.09 74: 0.09 75: 0.09 76: 0.09 77: 0.09 78: 0.09 79: 0.09 80: 0.09 81: 0.09 82: 0.09 83: 0.09 84: 0.09 85: 0.09 86: 0.09 87: 0.09 88: 0.09 89: 0.09 90: 0.09 91: 0.09 92: 0.09 93: 0.09 94: 0.09 95: 0.09 96: 0.09 97: 0.09 98: 0.09 99: 0.09 100: 0.09	1 : 0.09	1 OF 1	
MATERIAL :	APPROVED	KSN	07-02-13
Checked	CHECKED	JP	07-02-13
Drawn	DRAWN	MRP	07-02-13
This Drawing which Contains Proprietary Information is the property of Trivalent Pneumatics Pvt. Ltd. It shall not be reproduced in any manner nor disclosed to third parties without getting written permission of Trivalent Pneumatics Pvt. Ltd.		PneumaticPlus	

